



BEAVER 250KG & 500KG 3S LEVER BLOCK

Beaver 250kg & 500kg 3S Lever Blocks are designed for small to medium size lifting and pulling applications. The design combines strength and compact design into one, to provide a high quality and versatile Lever Block.

SMALLER / LIGHTER / HIGHER PERFORMANCE

- Load chain made from high resistance, Grade 80 zinc plated finish, calibrated and marked according to international standards ISO 3077 and ISO 1834.
- The short arm lever and the gears ratio allows minimum effort to raise maximum load with maximum security
- Top and bottom hook are complete with cast latches
- Top and bottom hooks are fitted with ball bearings to allow rotation under load
- Compact design to allow minimum headroom
- Beaver 3S lever blocks are operationally tested to its rated capacity and its supplied with a Beaver test certificate, relating to its stamped identification side plate
- Beaver repair and testing facilities are to NATA specification



Manufactured to AS 1418.2 and exceeds standards

Gunmetal Grey

High quality aluminium housing

Easy handling with low physical force on lever

Fully protected mechanism for low maintenance cost

Easy adjustment by free chaining mode

Grade 80 zinc plated alloy load chain

Bearing top and bottom hook

Load drop protection in free-wheel position

Comprehensive spare parts range and technical support



Lifting



Lowering

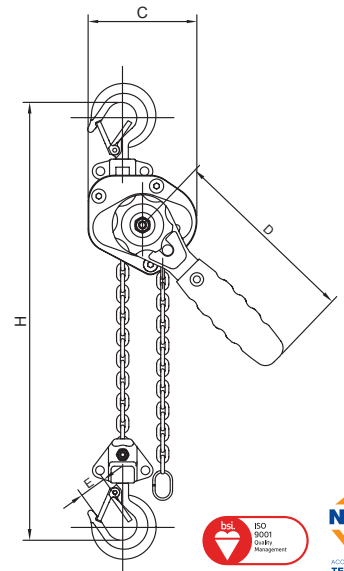
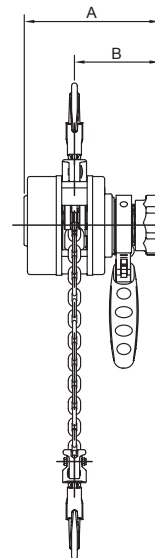


Fastening



Pulling

Product Code		506025	506050
Working Load Limit	(WLL)	250kg	500kg
Standard Lift	M	1.5	1.5
Test Load	kN	4.9	9.8
Headroom	H mm	200	250
Effort on lever to lift full load	N	210	320
No. of load chain falls	-	1	1
Diameter of load chain	mm	4	4
Dimensions (mm)	A	87	100.5
	B	55.5	62.5
	C	68	81
	D	145	160
	E	21	24.5
Net Weight	Kg	1.5	2.5



Complies to AS 1418.2



ACCREDITED FOR TECHNICAL COMPETENCE



BEAVER 800KG - 9T 3S LEVER BLOCK

Beaver 3S 800kg, 1.6T, 3.2T and 9T Lever Blocks are heavy duty industrial blocks designed for heavy lifting and a variety of applications in mining, heavy industry, major construction works and off shore exploration.

HEAVY DUTY INDUSTRIAL LEVER BLOCKS

- Each 3S Lever block is operationally tested to its rated capacity and is supplied with a beaver test certificate, relating to its stamped identification side plate.
- Load chain is made of high resistance grade 80 alloy steel, black finish, calibrated and marked according to international standards ISO 3077 and ISO 1834
- Precision engineered top and bottom hooks with ball bearing
- Machined and heat treated gears, offering better durability and longer life cycle



Lifting



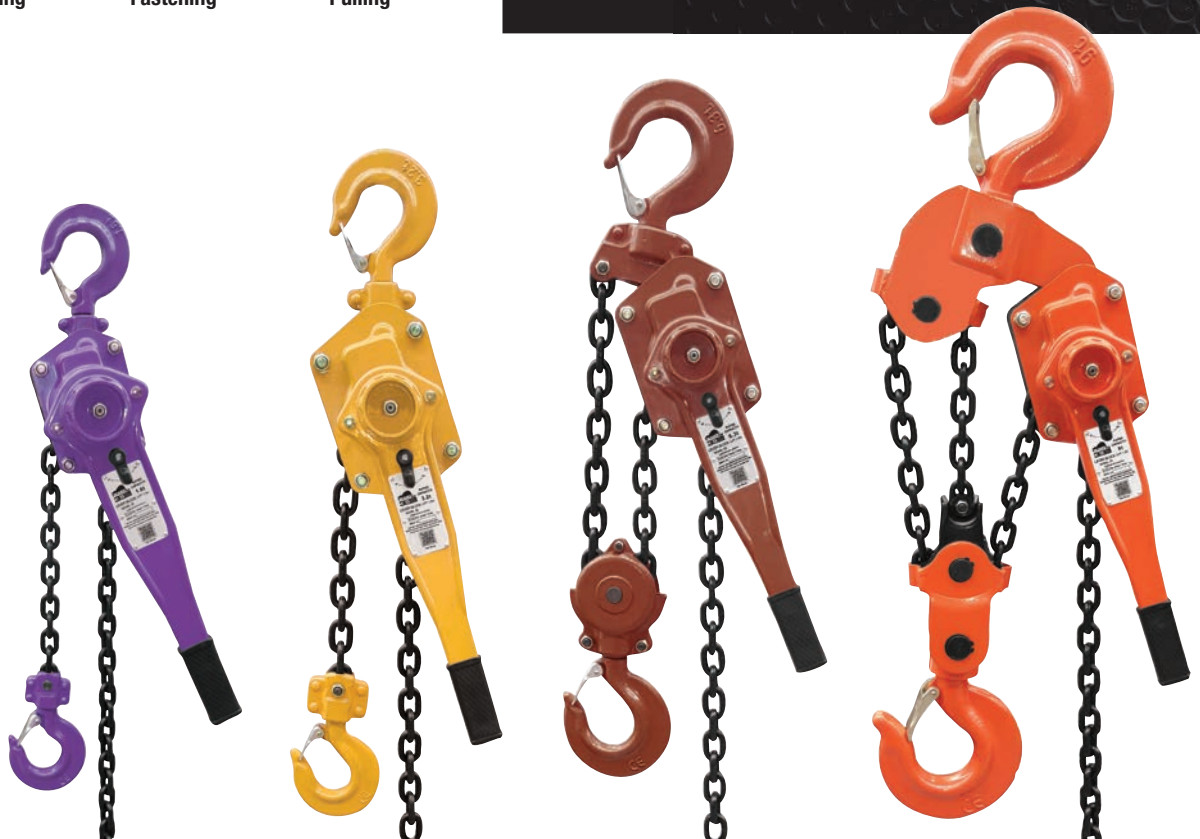
Lowering



Fastening



Pulling



Manufactured to AS 1418.2 and exceeds standards

Colour Coded to match International Lifting Standards

QR Code on ID Tag

Suitable for Underground Mining (Non-conductive material)

Top & Bottom Hook Ball Bearings

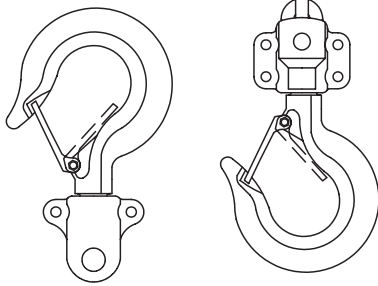
Comprehensive Spare Parts Range & Technical Support

An optional safety overload clutch (limiter) mechanism can be incorporated. The handle cuts out around 30% more than the rated WLL to prevent severe overloading of the lever block.



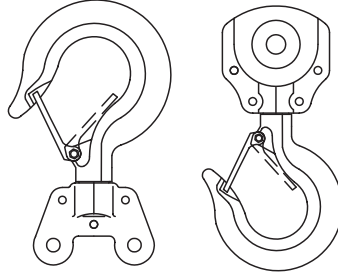
BEAVER 800KG - 9T 3S LEVER BLOCK

Beaver 3S 800kg, 1.6T, 3.2T and 9T Lever Blocks are heavy duty industrial blocks designed for heavy lifting and a variety of applications in mining, heavy industry, major construction works and off shore exploration.



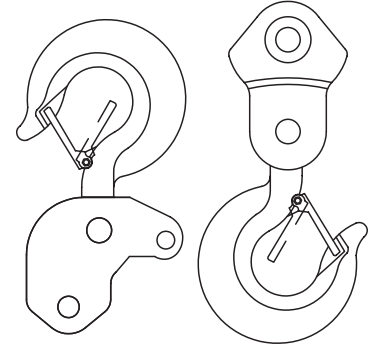
Top Hook

Bottom Hook



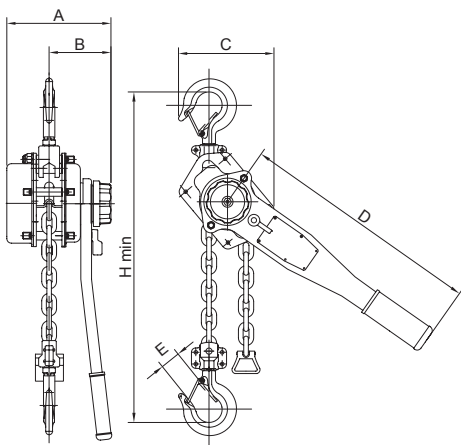
Top Hook

Bottom Hook

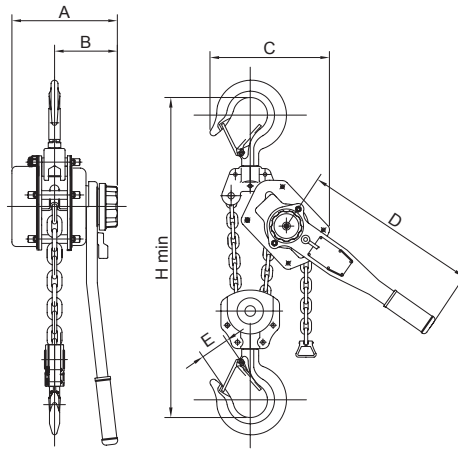


Top Hook

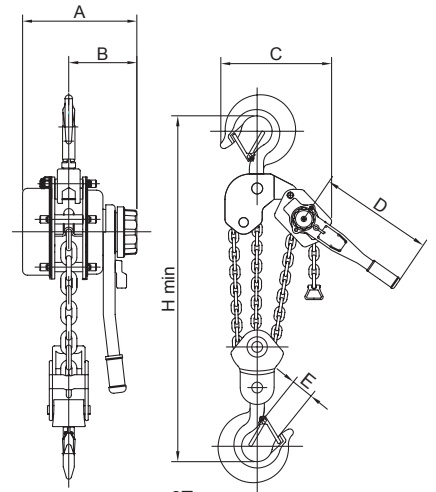
Bottom Hook



800kg, 1.6T, 3.2T



6.3T



9T

Product Code		506080	506160	506320	506630	507900
Working Load Limit	(WLL)	800kg	1.6 Tonne	3.2 Tonne	6.3 Tonne	9 Tonne
Standard Lift	M	1.5	1.5	1.5	1.5	1.5
Test Load	kN	11.3	22.5	45	90	135
Headroom	H mm	325	380	480	620	700
Effort on lever to lift full load	N	140	240	320	340	360
No. of load chain falls	-	1	1	1	2	3
Diameter of load chain	mm	6x18	8x24	10x30	10x30	10x30
Dimensions (mm)	A	148	172	200	200	200
	B	90	98	115	115	115
	C	136	160	180	235	316
	E	30	35	40	50	60
	D	280	410	410	410	410
Net Weight	Kg	7	11	21	31	47